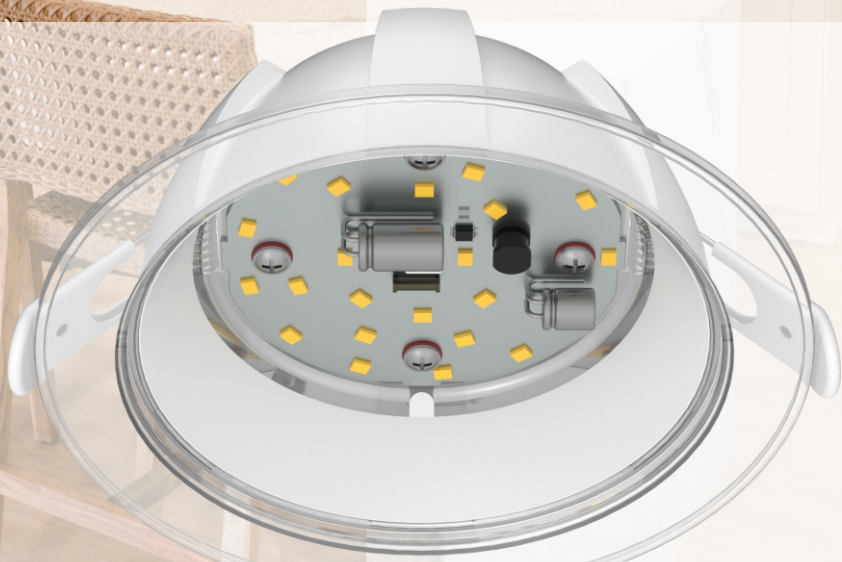


C APE

BUILT-IN STRUCTURE WITH
SMD TECHNOLOGY.
SMALLER PACKAGING.
ALUMINUM+PLASTIC HOUSING,
BETTER LOOKING AND
LONGER LIFESPAN.



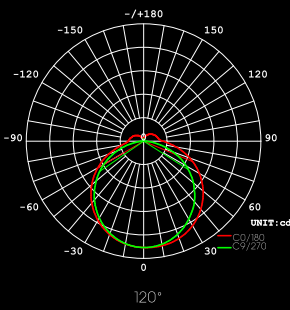
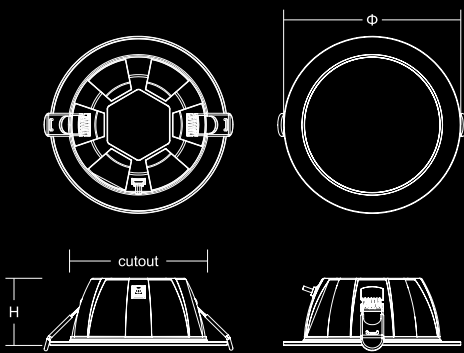
CAPE



Parameters

| Model | Power | Actual Power | Voltage | Size(mm) | Cut-out(mm) |
|------------|-------|--------------|----------|----------|-------------|
| HEC-SWP-7 | 7W | 7W±10% | 110~265V | Φ110*50 | Φ76 |
| HEC-SWP-10 | 10W | 10W±10% | 120~265V | Φ110*50 | Φ76 |
| HEC-SWP-12 | 12W | 12W±10% | 130~265V | Φ120*52 | Φ92 |
| HEC-SWP-15 | 15W | 15W±10% | 150~265V | Φ120*52 | Φ92 |
| HEC-SWP-18 | 18W | 18W±10% | 150~265V | Φ145*55 | Φ112 |

Power Factor:0.55PF±10%
 CCT:3000K/4000K/6500K
 Material:Plastic+Aluminum
 CRI:Ra>80
 SMD Luminous:120lm/w
 Beam Angle:120°



APPLICATIONS:

WIDELY APPLICABLE TO INDOOR LOCATIONS, SUCH AS HOTELS, RESTAURANTS, OFFICES, SHOWROOMS, HOUSES AND SIMILAR PLACES.

