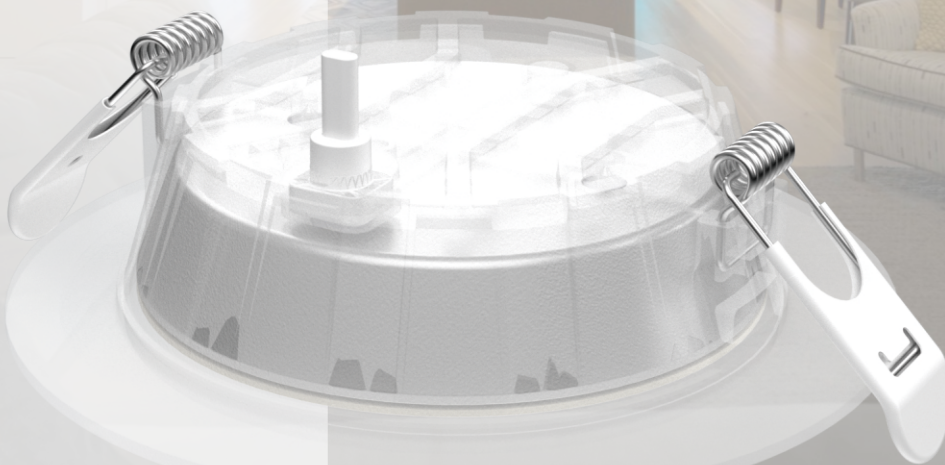


O SLO

SLIM AND INTEGRATED SHAPE
IS DESIGNED FOR LOW CEILING
SPACES INSTALLATION.
SMD TECHNOLOGY MADE IT
LONGER LIFESPAN.
ALUMINUM HEATSINKER INSIDE
ENSURES BETTER LUMEN
MAINTENANCE RATE.

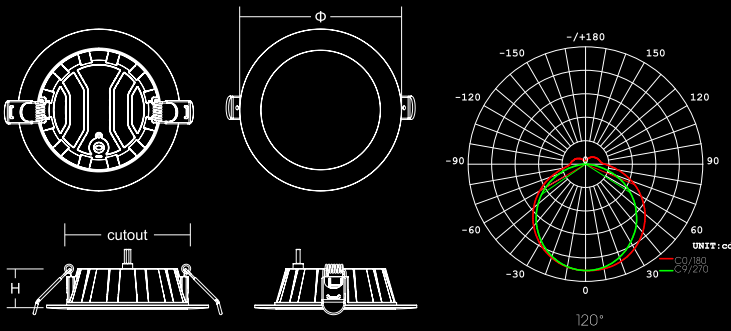




Parameters

Model	Power	Actual power	Voltage	Size(mm)	Cut-out(mm)
HEC-PHB-7	7W	7W±10%	100~265V	Φ110*31	Φ75
HEC-PHB-12	12W	12W±10%	130~265V	Φ125*31	Φ95
HEC-PHM-7	7W	7W±10%	100~265V	Φ110*31	Φ75
HEC-PHM-12	12W	12W±10%	130~265V	Φ125*31	Φ95

Power factor :0.55PF±10%
 CCT:3000K/4000K/6500K
 Material:Plastic+Aluminum
 CRI:Ra>80
 SMD Luminous:120lm/w
 Beam Angle:120°



APPLICATIONS:

WIDELY APPLICABLE TO INDOOR LOCATIONS, SUCH AS HOTELS, RESTAURANTS, OFFICES, SHOWROOMS, HOUSES AND SIMILAR PLACES.

