

KONG

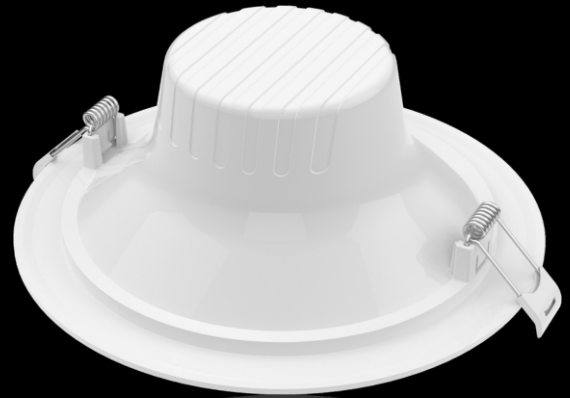
BUILT-IN STRUCTURE

SMALLER IN PACKAGING SIZE
AND EASIER FOR INSTALLATION.

THE LIGHT SOURCE IS DEEP INSIDE
FOR MORE COMFORTABLE
INDOOR APPLICATIONS.



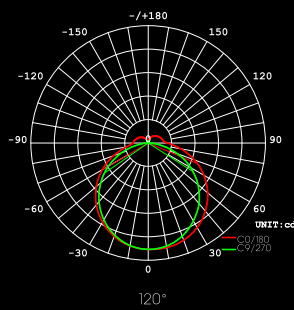
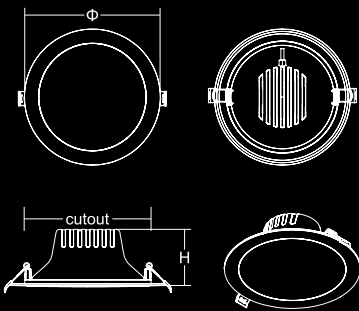
KONG



Parameters

Model	Power	Actual power	Voltage	Size(mm)	Cut-out(mm)
HEC-PHW-7	7W	7W±10%	100~265V	Φ112*58	Φ75
HEC-PHW-12	12W	12W±10%	130-265V	Φ128*62	Φ95
HEC-PHW-18	18W	18W±10%	155-265V	Φ171*62	Φ138

Power factor :0.55PF±10%
 CCT:3000K/4000K/6500K
 Material:Plastic+Aluminum
 CRI:Ra>80
 SMD Luminous: 120lm/w
 Beam Angle:120°



APPLICATIONS:

WIDELY APPLICABLE TO INDOOR LOCATIONS, SUCH AS HOTELS, RESTAURANTS, OFFICES, SHOWROOMS, HOUSES AND SIMILAR PLACES.

