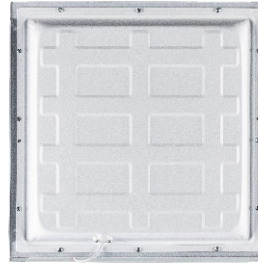
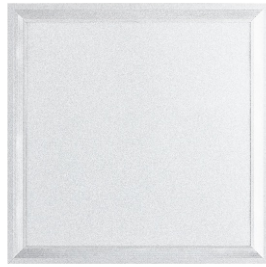
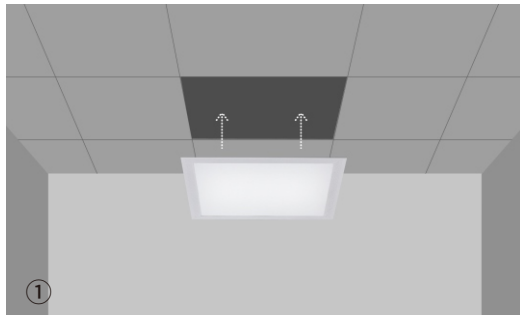


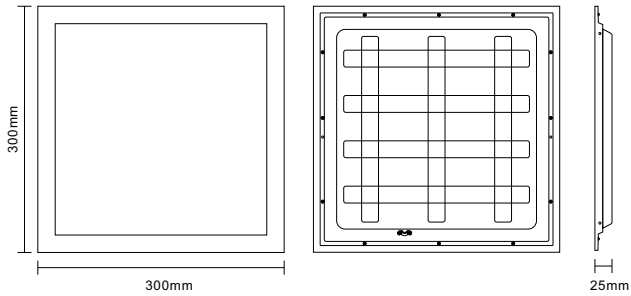
Datasheet- Panel Light-30X30cm



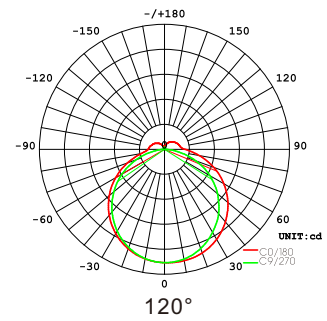
■ INSTALLATION METHODS



■ DIMENSIONS



■ RAYS



■ INTERIOR STRUCTURE



■ APPLICATIONS

