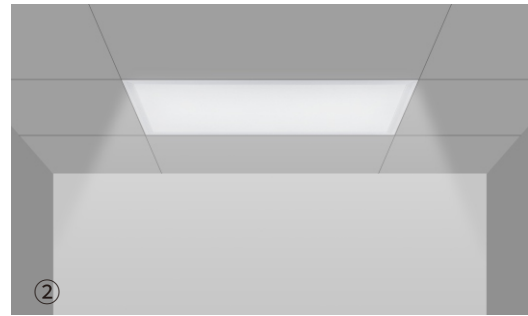
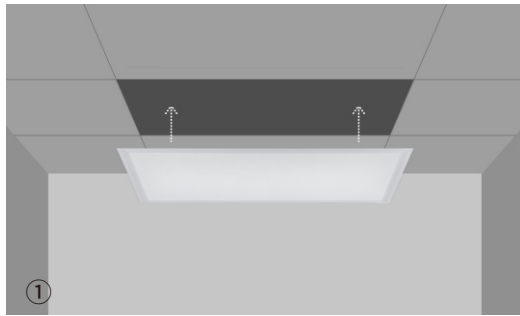


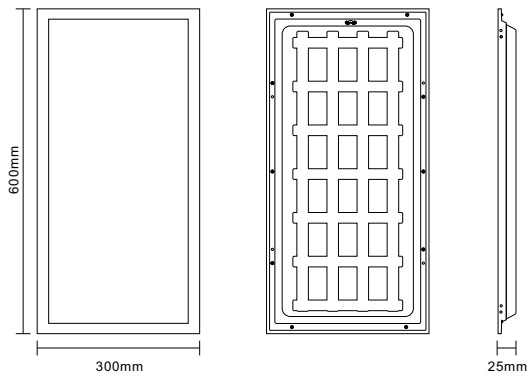
**Datasheet- Big Panel Light-30X60cm**



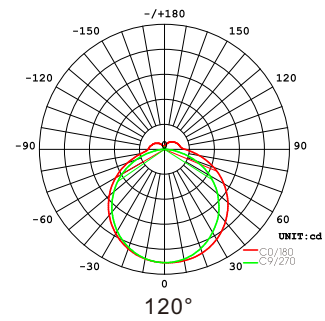
**■ INSTALLATION METHODS**



**■ DIMENSIONS**



**■ RAYS**



**■ INTERIOR STRUCTURE**



**■ APPLICATIONS**

