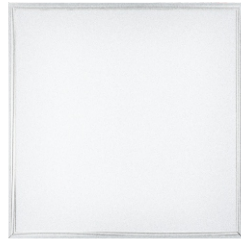
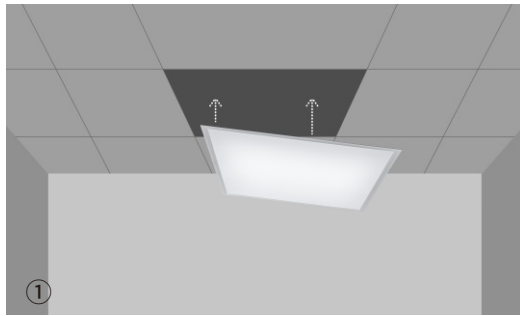


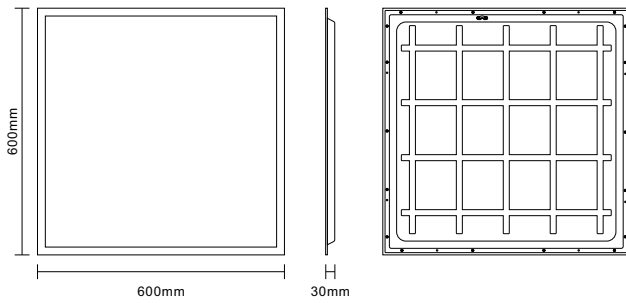
Datasheet- Big Panel Light-60X60cm



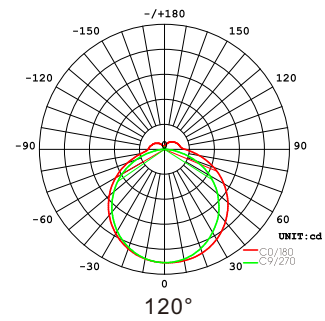
■ INSTALLATION METHODS



■ DIMENSIONS



■ RAYS



■ INTERIOR STRUCTURE



■ APPLICATIONS

