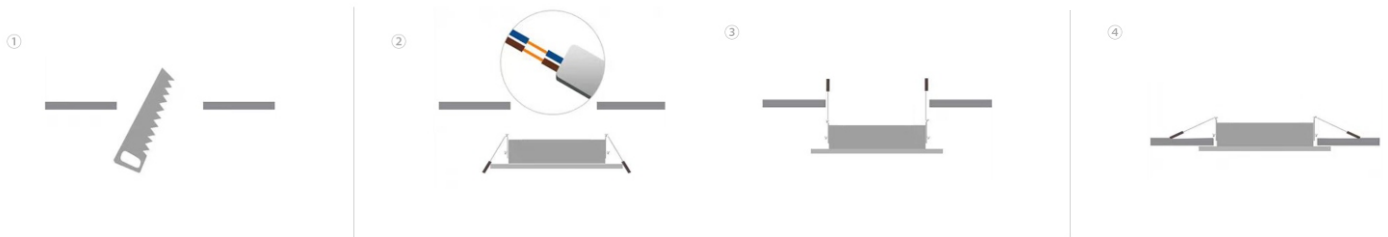


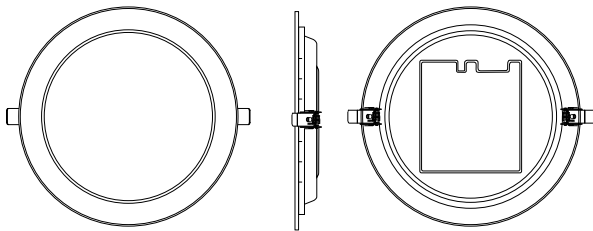
Datasheet- Recessed Panel Lights Series (Round)



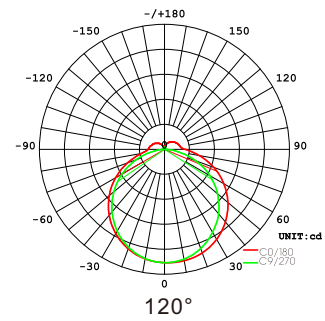
■ INSTALLATION METHODS



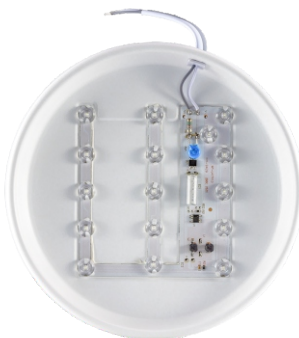
■ DIMENSIONS



■ RAYS



■ INTERIOR STRUCTURE



■ APPLICATIONS

