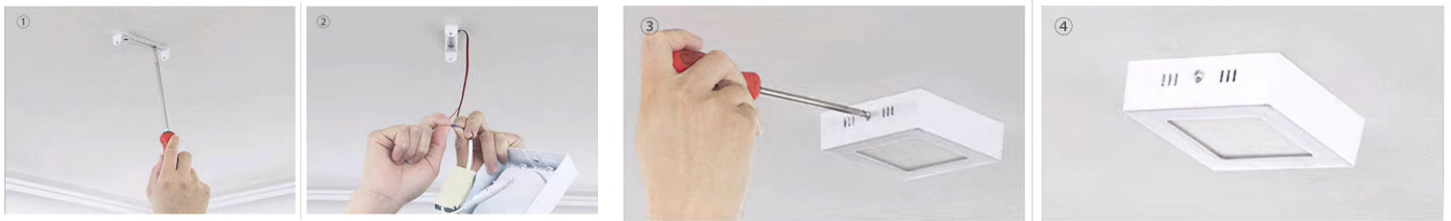


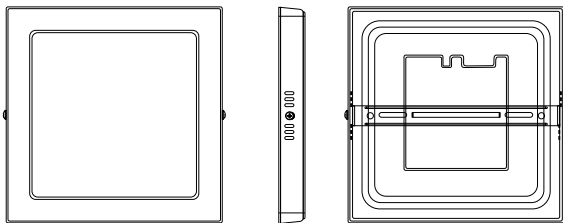
Datasheet- Surface Mounted Panel Lights Series (Square)



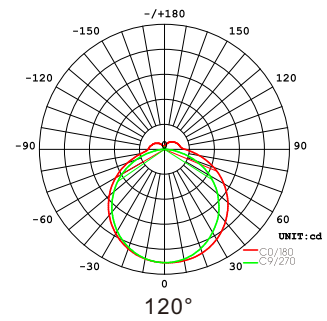
■ INSTALLATION METHODS



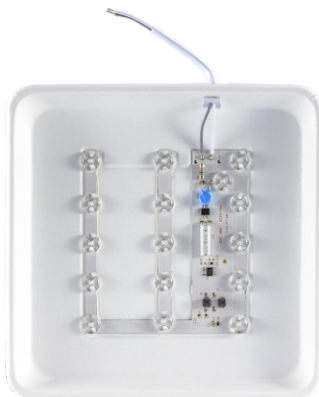
■ DIMENSIONS



■ RAYS



■ INTERIOR STRUCTURE



■ APPLICATIONS

