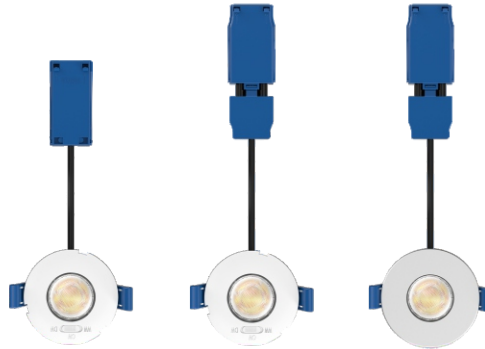


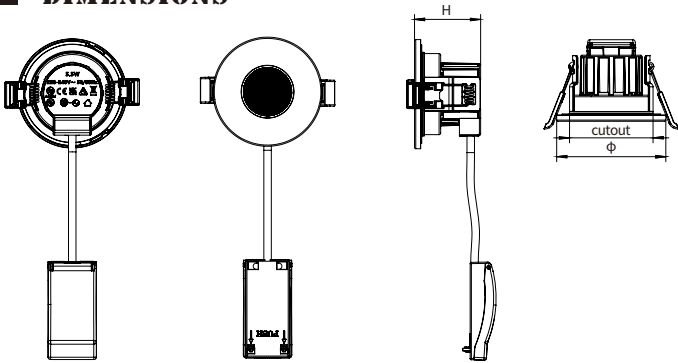
XL-9571X XL-9572X



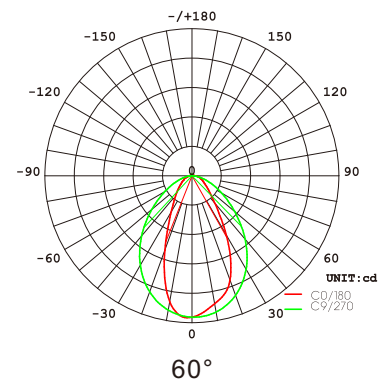
PARAMETERS:

Model	Power	Material	Voltage	Frequency	Size(mm)	Cutout (mm)	Lumen	Efficiency	CRI	CCT	IP	LED Chip
XL-9571XS-14	5.5W	Iron+plastic	220-240V	50/60Hz	φ87*H53	φ70	500Lm	90Lm/w	80	3000~4000~6500	Front-IP65; Back-IP20	SMD2835
XL-9571XM-14	5.5W	Iron	220-240V	50/60Hz	φ87*H53	φ70	500Lm	90Lm/w	80	3000~4000~6500	Front-IP65; Back-IP20	SMD2835
XL-9571XA-14	5.5W	Iron+aluminum	220-240V	50/60Hz	φ87*H53	φ70	500Lm	90Lm/w	80	3000~4000~6500	Front-IP65; Back-IP20	SMD2835
XL-9572XS-14	7.5W	Iron+plastic	220-240V	50/60Hz	φ87*H53	φ70	650Lm	85Lm/w	80	3000~4000~6500	Front-IP65; Back-IP20	SMD2835
XL-9572XM-14	7.5W	Iron	220-240V	50/60Hz	φ87*H53	φ70	650Lm	85Lm/w	80	3000~4000~6500	Front-IP65; Back-IP20	SMD2835
XL-9572XA-14	7.5W	Iron+aluminum	220-240V	50/60Hz	φ87*H53	φ70	650Lm	85Lm/w	80	3000~4000~6500	Front-IP65; Back-IP20	SMD2835

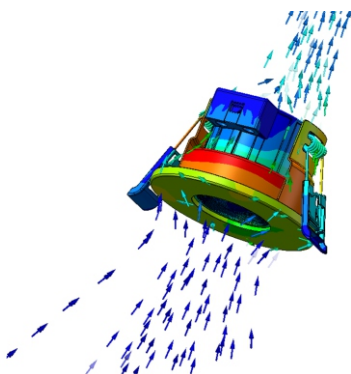
DIMENSIONS



RAYS



INTERIOR STRUCTURE



APPLICATIONS

