

FEICHI 菲驰照明

EXPLOSION-PROOF

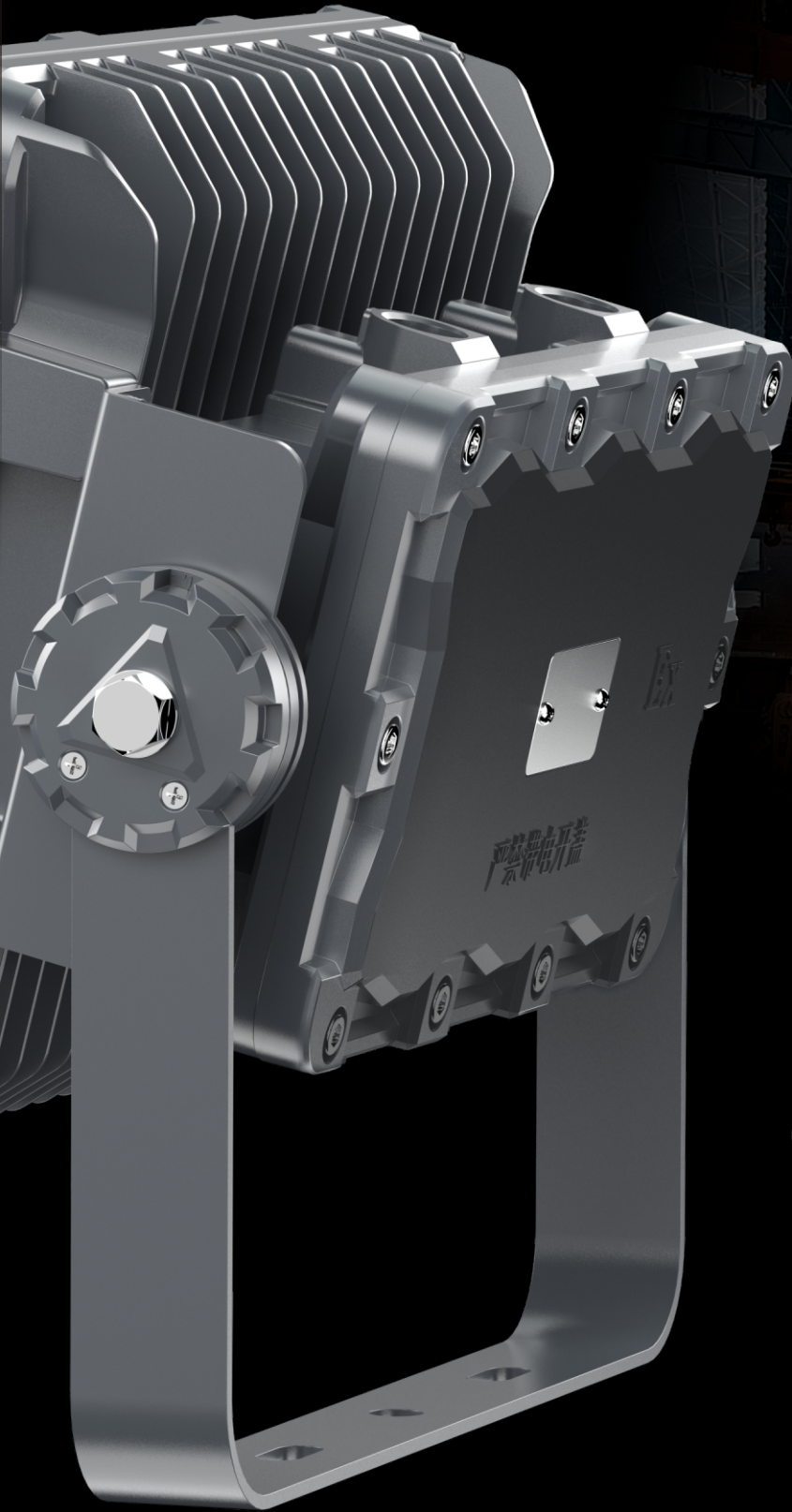
LED FLOODLIGHT

30W/50W/100W/150W/200W/250W
300W/350W/400W/500W/600W



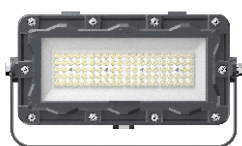
Product VR

EX DBLBT 4/T6 GB; EX DBLCT 4/T6 GB; EX TBLCT 1 30° C/T80° C DB IP66



SHENZHEN FEICHI LIGHTING CO., LTD.

OVERVIEW



30-50W



100W-200W



200-350W



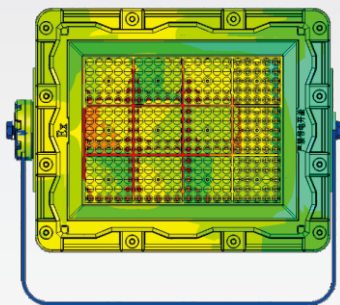
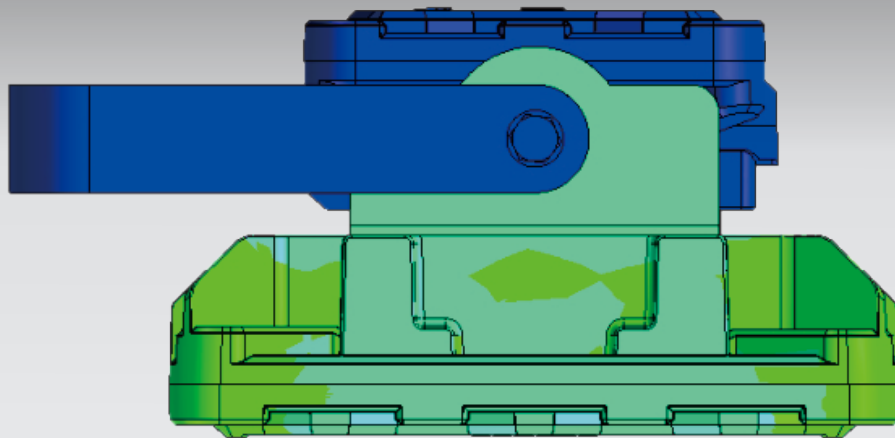
400W



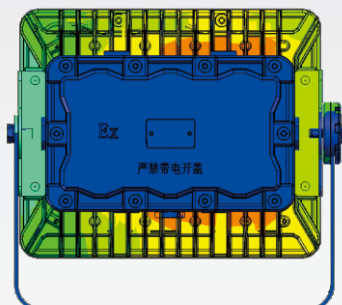
500-600W

THERMAL MANGEMENT

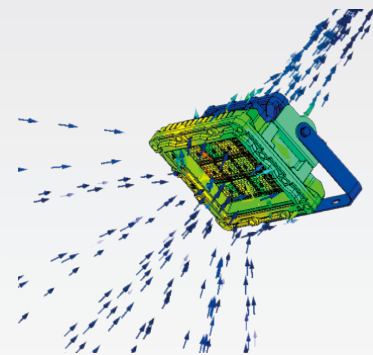
Suructure is optimized by advanced FEA technology.
Achieving longer lifespan at best cost-efficiency.



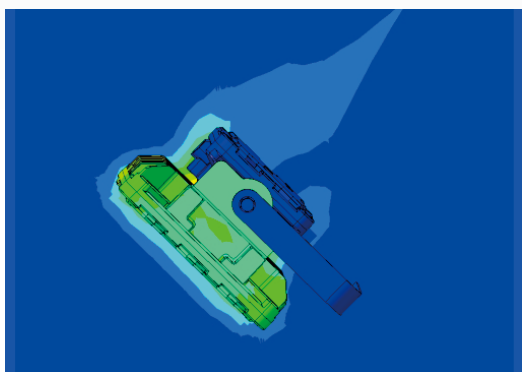
Thermal Conductivity (Front)



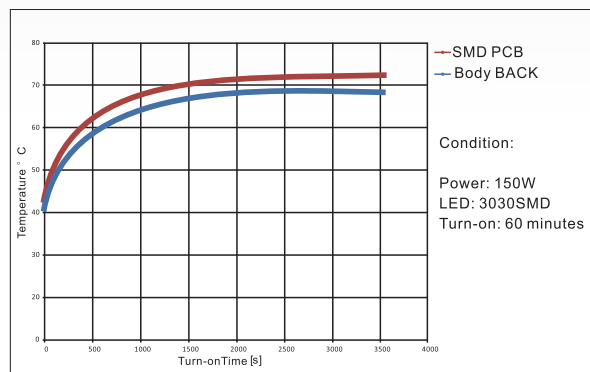
Thermal Conductivity (Back)



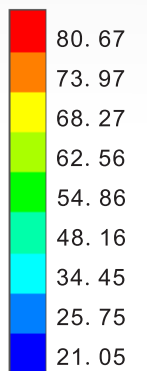
Thermal Air Convection



Thermal Air Flow

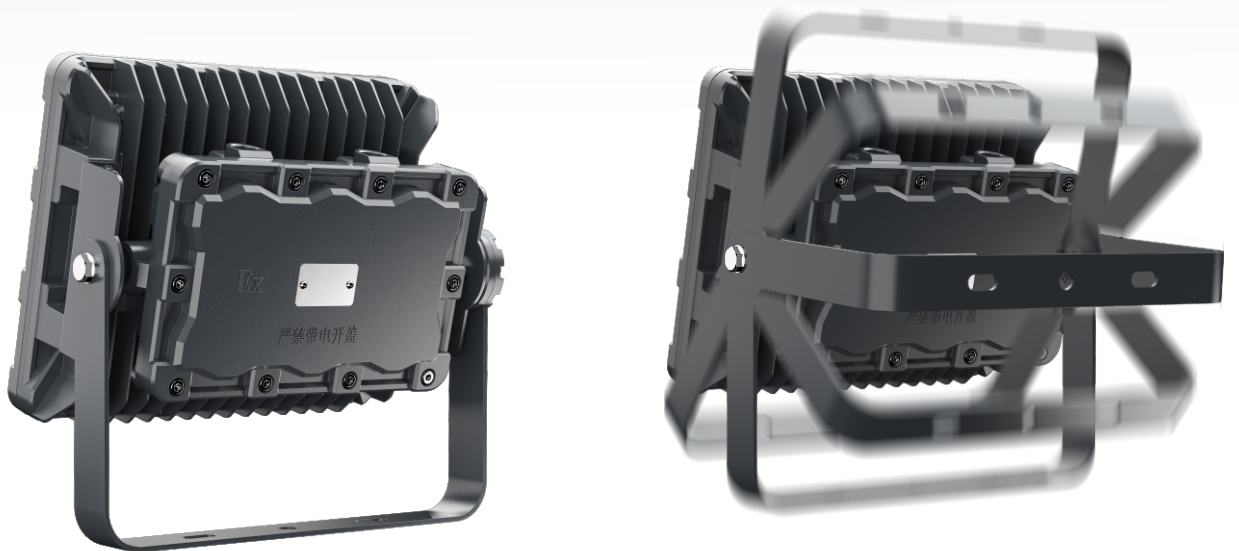
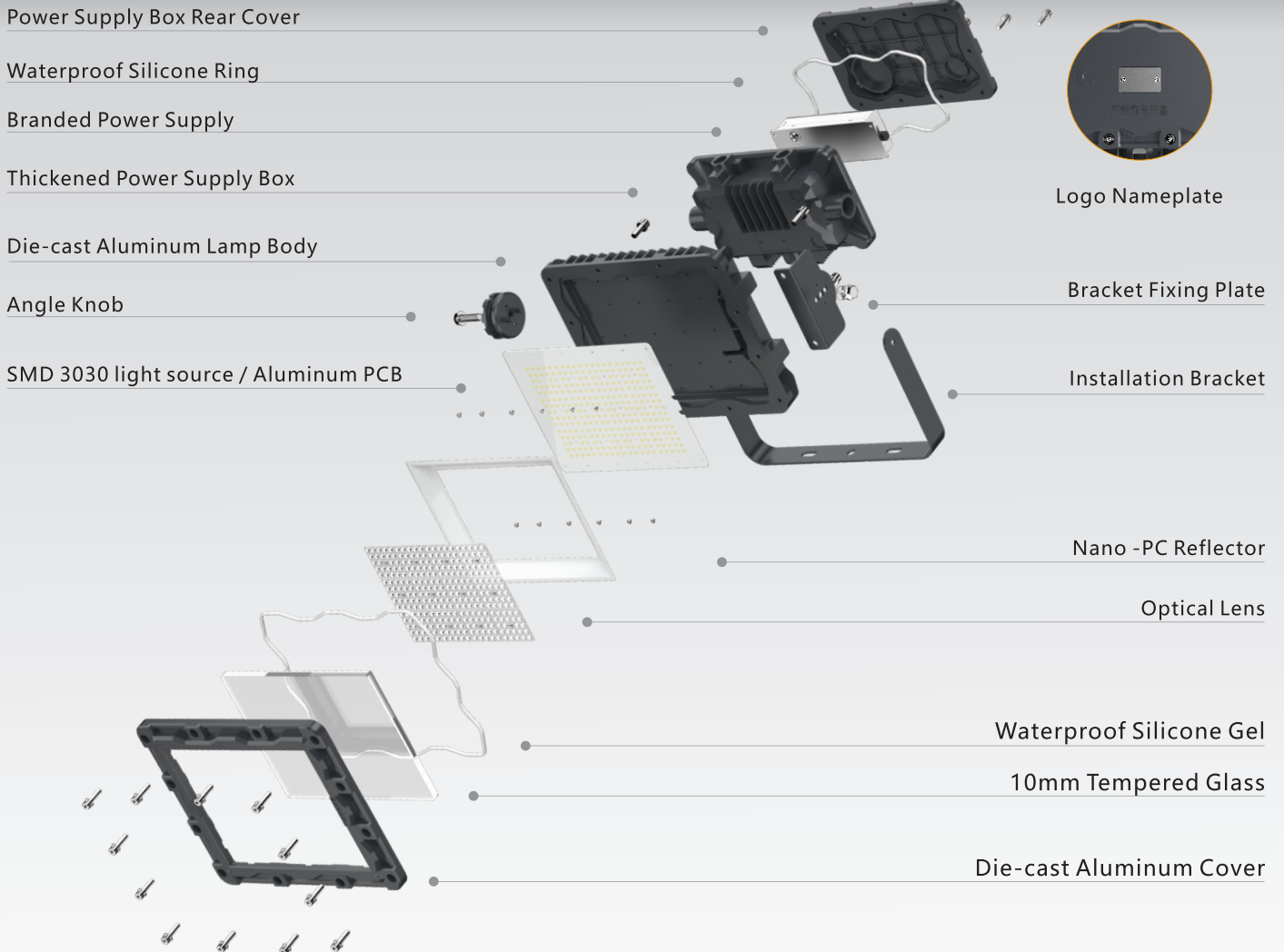


Temperature Rise Curve



Unit : °C

EXPLODED



180° Adjustable Installation Bracket

SCENARIO APPLICATIONS

Suitable for: Petroleum, petrochemical, chemical, metallurgical, railway, electric power, steel, aviation, and shipbuilding industries, as well as various large-scale industrial facilities and high-efficiency roadway lighting applications.

Suitable for Zone 1 and Zone 2 hazardous areas containing explosive atmospheres.

Suitable for explosive gas environments classified as Group IIA and Group IIB.

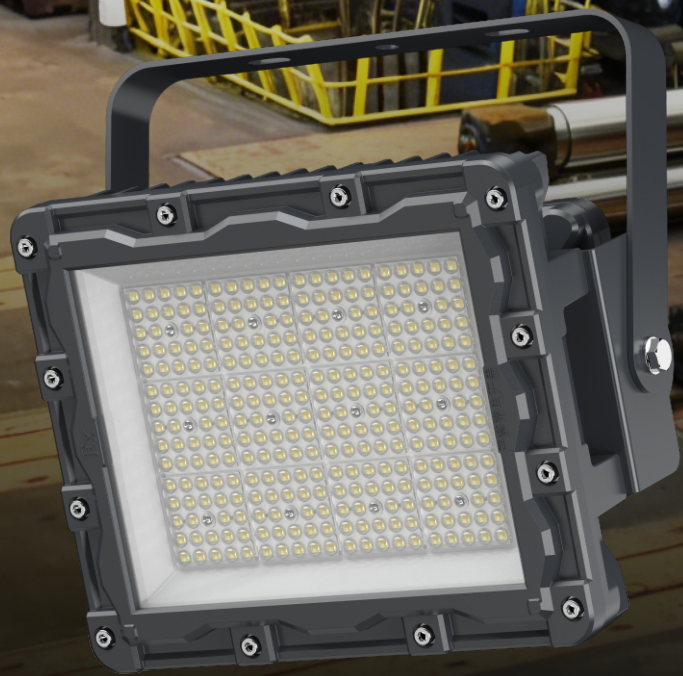
Suitable for hazardous areas containing combustible dust, specifically Zone 21 and Zone 22.



Chemical Plant



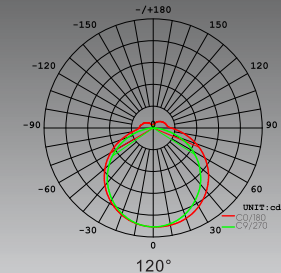
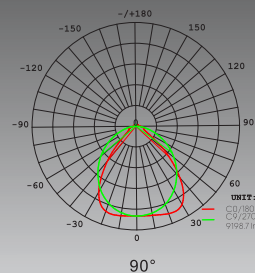
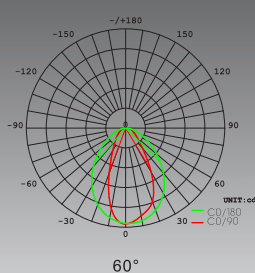
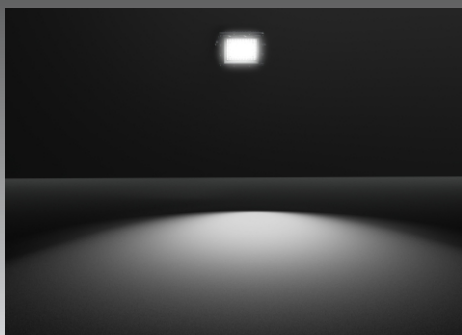
Power Plant



OPTICS

Tech.Support:Tell us the space length,width,height and the usage.

We have an engineer team to respnd the DIALUX simulations for lights quantity calculation and effects.

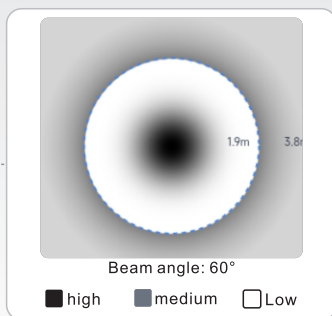


(200W)Lighting Fixture Parameters

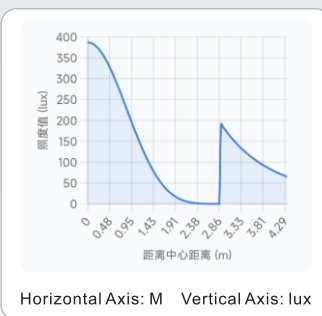
Beam Angle (°): 60°
Lumen Output (lm): 32,000
Mounting Height (m): 5 m
Luminaire Efficiency (%): 95

(200W)Lighting Fixture Results

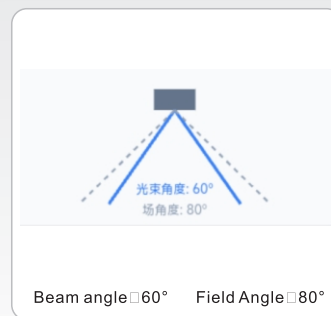
Spot Diameter: 5.8 m
Spot Area: 26.2 m²
Center Illuminance: 387 lux
Edge Illuminance: 194 lux
Average Illuminance: 138 lux



Visible Spot Diagram



Illuminance Distribution Map



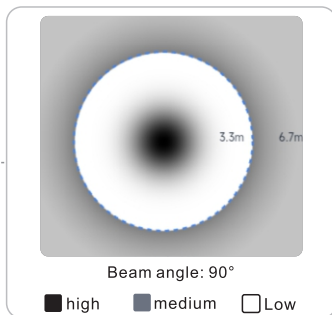
Beam angle □60° Field Angle □80°

(200W)Lighting Fixture Parameters

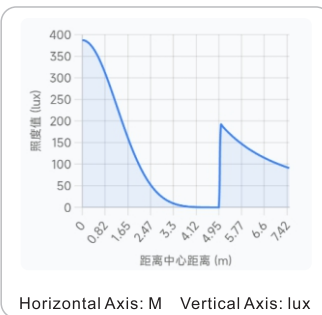
Beam Angle (°): 90°
Lumen Output (lm): 32,000
Mounting Height (m): 5 m
Luminaire Efficiency (%): 95

(200W)Lighting Fixture Results

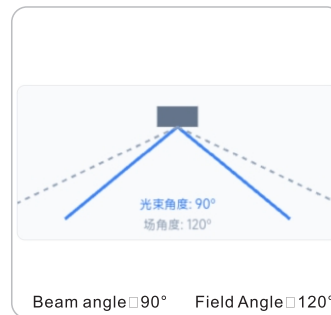
Spot Diameter: 10.0 m
Spot Area: 78.5 m²
Center Illuminance: 387 lux
Edge Illuminance: 194 lux
Average Illuminance: 123 lux



Visible Spot Diagram



Illuminance Distribution Map



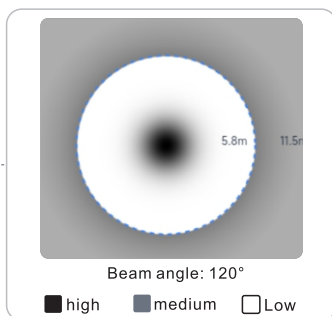
Beam angle □90° Field Angle □120°

(200W)Lighting Fixture Parameters

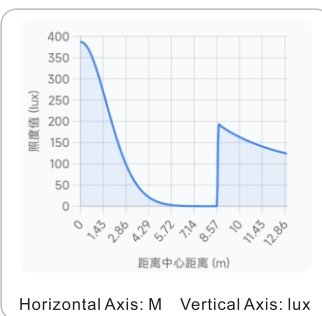
Beam Angle (°): 120°
Lumen Output (lm): 32,000
Mounting Height (m): 5 m
Luminaire Efficiency (%): 95

(200W)Lighting Fixture Results

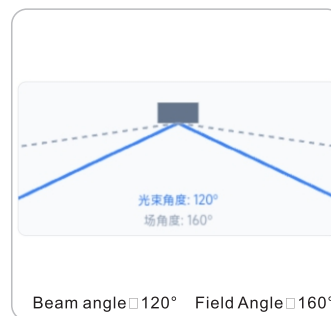
Spot Diameter: 17.3 m
Spot Area: 235.6 m²
Center Illuminance: 387 lux
Edge Illuminance: 194 lux
Average Illuminance: 100 lux



Visible Spot Diagram



Illuminance Distribution Map



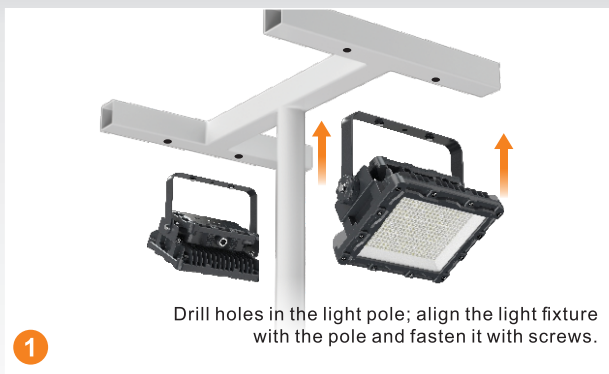
Beam angle □120° Field Angle □160°

INSTALLATION INSTRUCTIONS

Multiple installation methods are available to meet the needs of various lighting environments.



Wall-Mounted Installation



Light Pole Installation



Floor Mounting



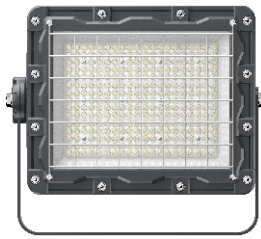
Ceiling Mount

A VARIETY OF STYLES

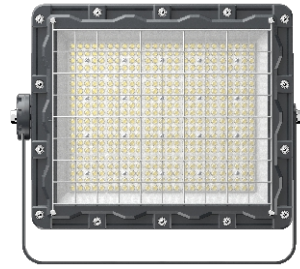
Optional Protection Mesh



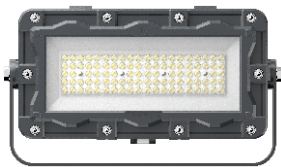
FC-GBTGD-30-50W



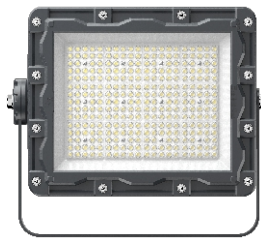
FC-GBTGD-100-200W



FC-GBTGD-200-350W



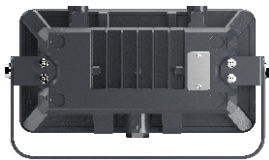
FC-GBTGD-30-50W



FC-GBTGD-100-200W



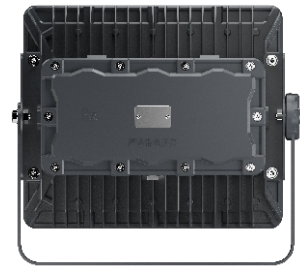
FC-GBTGD-200-350W



FC-GBTGD-30-50W



FC-GBTGD-100-200W



FC-GBTGD-200-350W



FC-GBTGD-30-50W



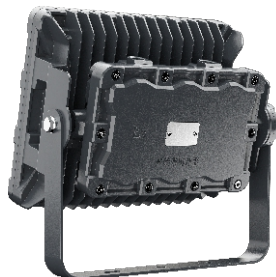
FC-GBTGD-100-200W



FC-GBTGD-200-350W



FC-GBTGD-30-50W



FC-GBTGD-100-200W

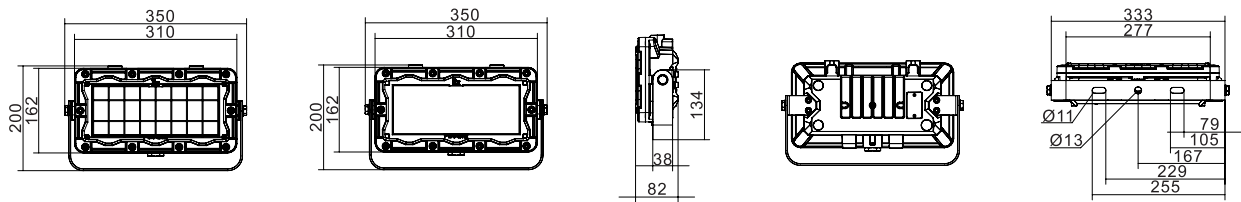


FC-GBTGD-200-350W

DIAGRAMS

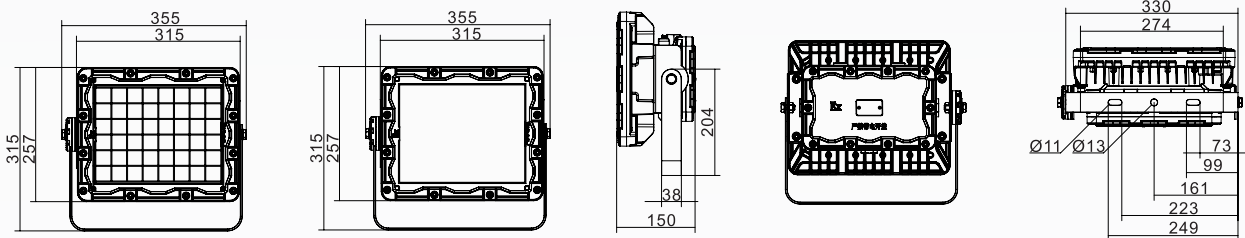
unit:MM

FC-GBTGD-30-50W



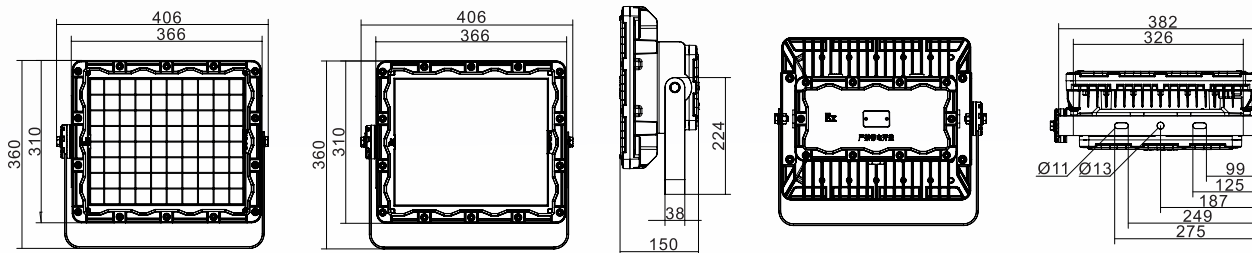
30-50W
Bracket Dimensions

FC-GBTGD-100-200W



100-200W
Bracket Dimensions

FC-GBTGD-200-350W



200-350W
Bracket Dimensions

Main Parameters

Model	FC-GBTGD30	FC-GBTGD50	FC-GBTGD100	FC-GBTGD150	FC-GBTGD200	FC-GBTGD200-2	FC-GBTGD250	FC-GBTGD300	FC-GBTGD350
Power	30W	50W	100W	150W	200W	200W	250W	300W	350W
Product Size(mm)	350*200*82mm		355*315*150mm			406*360*150mm			
CCT	3000K / 4000K / 5000K / 6500K								
CRI	Ra≥80								
Efficiency	160Lm/W								
IP	IP66								
WF	WF2								
Ex	Ex dbllB T4/T6 Gb; Ex db llCT4/T6 Gb; Ex tllCT130°C/T80°C Db IP66								

APPLICATION SCENARIOS

Suitable for: Petroleum, petrochemical, chemical, metallurgical, railway, electric power, steel, aviation, and shipbuilding industries; as well as various large-scale industrial facilities and high-efficiency roadway lighting.

Suitable for Zone 1 and Zone 2 locations within explosive gas environments.

Suitable for explosive gas environments classified as Group IIA and IIB.

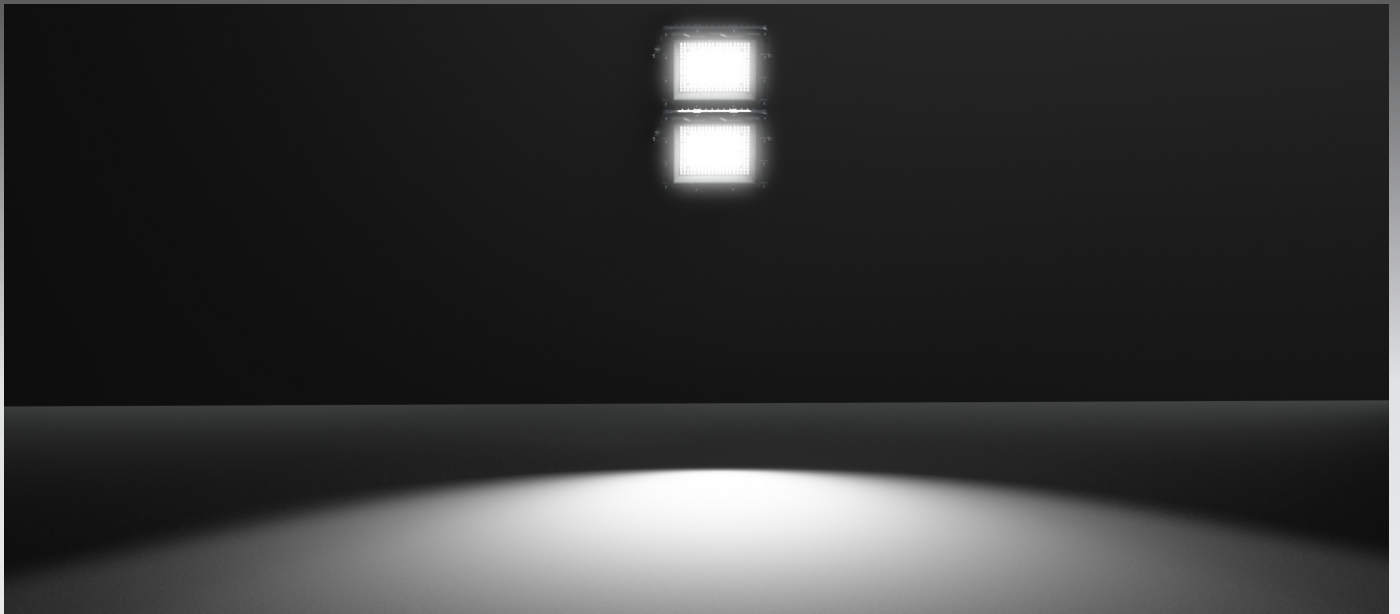
Suitable for combustible dust environments in Zone 21 and Zone 22 locations.



OPTICS

Tech.Support:Tell us the space length,width,height and the usage.

We have an engineer team to respnd the DIALUX simulations for lights quantity calculation andeffects.

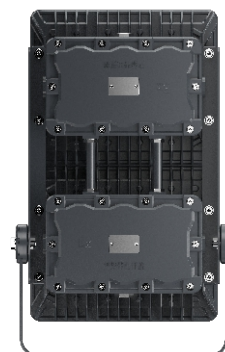


Dual-Layout Module Showcase



A VARIETY OF STYLES

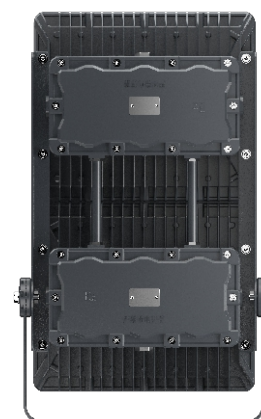
FC-GBTGD400W



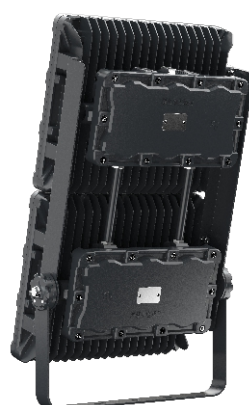
FC-GBTGD400W



FC-GBTGD
500-600W



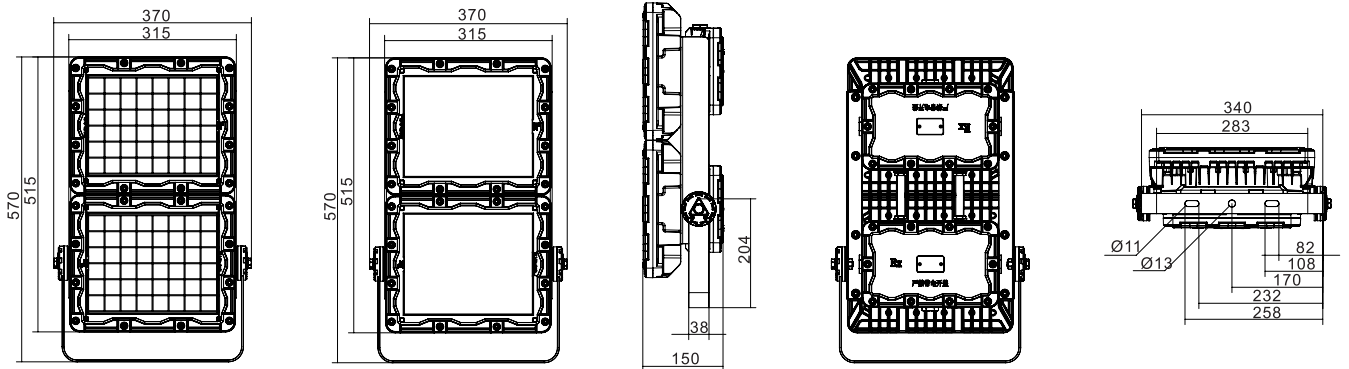
FC-GBTGD
500-600W



DIAGRAMS

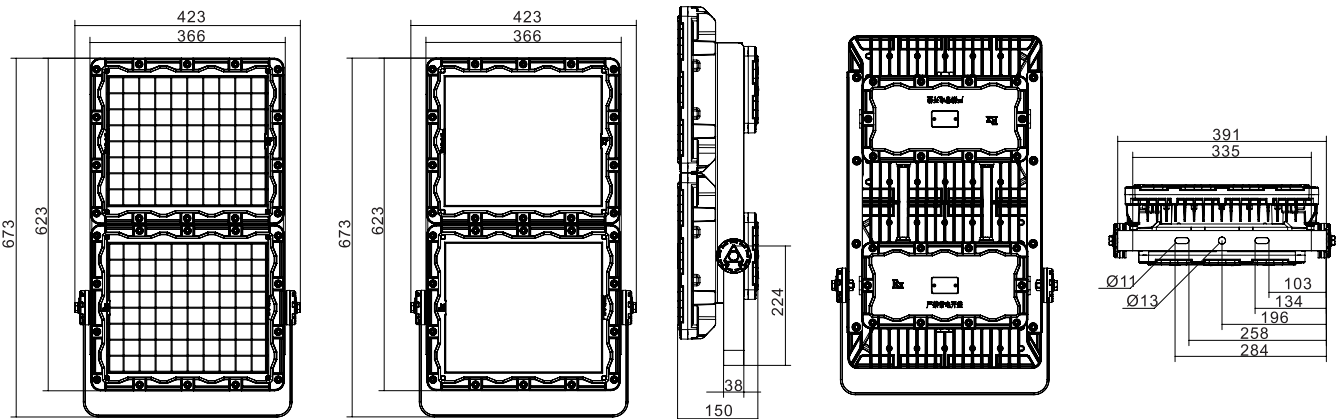
unit:MM

FC-GBTGD400W



400W
Bracket Dimensions

FC-GBTGD500-600W

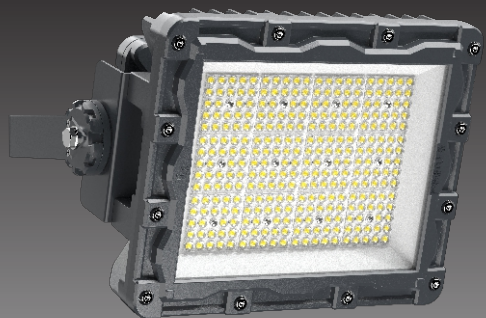


500-600W
Bracket Dimensions

Main Parameters

Model	FC-GBTGD400	FC-GBTGD500	FC-GBTGD600
Power	400W	500W	600W
Product Size(mm)	570*370*150mm	673*423*150mm	
CCT	3000K / 4000K / 5000K / 6500K		
CRI	Ra≥80		
Efficiency	160Lm/W		
IP	IP66		
WF	WF2		
Ex	Ex dbllB T4/T6 Gb; Ex db lICT4/T6 Gb; Ex tblICT130°C/T80°C Db IP66		

FEATURES:

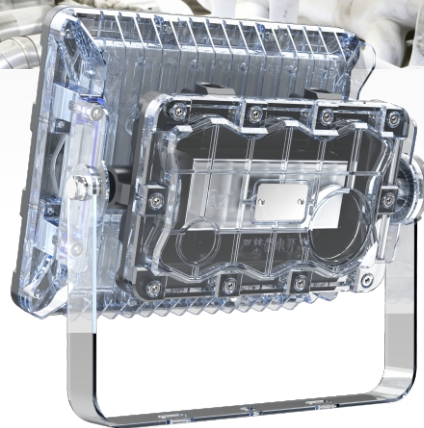


1. The lamp housing is constructed from national-standard ADC-12 aluminum, offering high structural strength as well as excellent heat dissipation and corrosion resistance. Its explosion-proof structural design renders it suitable for use in over 99% of environments involving explosive gases or dust.
2. Features highly efficient heat dissipation, allowing for reliable operation in ambient temperatures ranging from -40°C to +55°C.
3. Utilizes CREE brand LED chips, delivering high luminous efficacy and a lifespan of up to 100,000 hours. The unit is powered by a top-tier brand driver, featuring constant-current output and wide-voltage compatibility.
4. Lens: Adaptable to beam angles of 120°, 90°, or 60°, satisfying the diverse requirements of various installation scenarios.
5. Backed by a five-year warranty for worry-free after-sales support.



CAUTIONS:

1. Installation must be done by professional electricians.
2. Do NOT dismantle the product. It may be dangerous.
3. Do NOT stare at the light with naked eyes. It is harmful to eyes.
4. For outdoor lighting, waterproof measurements must be done to the cable terminals.
6. For locations requiring explosion protection, wire connections must be properly installed using explosion-proof junction boxes. Installation must be performed by a professional electrician and include reliable grounding.



SHENZHEN FEICHI LIGHTING CO., LTD.

E-mail: Michael@feichiex.com E-mail: zhang@feichiex.com

Mr. Chen: 13528411508

Michael: 18664432015

Ms. Lin: 13680225080

Ms. Zhang: 18022052733

Production factory address: 5th Floor, No. 4, Hengkang Street, Guzhen Town, Zhongshan City, Guangdong Province

Marketing Center Address: Room 906, No. 10, Block 3, Sanhe Overseas Chinese New Village, Huarong Community, Dalang Subdistrict, Longhua District, Shenzhen, P.R.China.

Website: WWW.feichiex.com