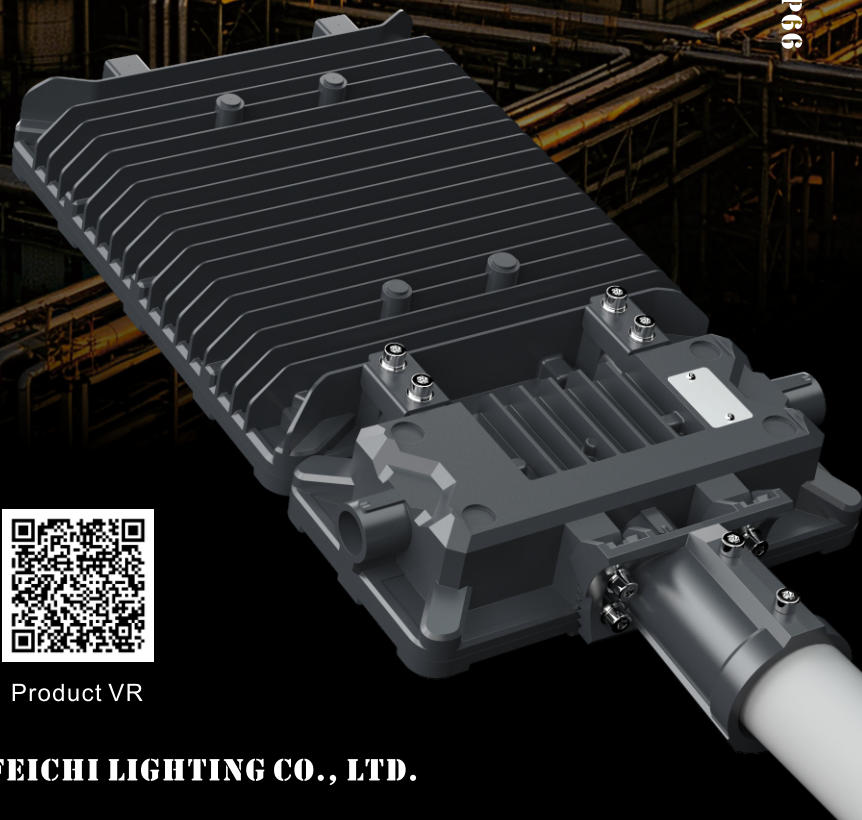
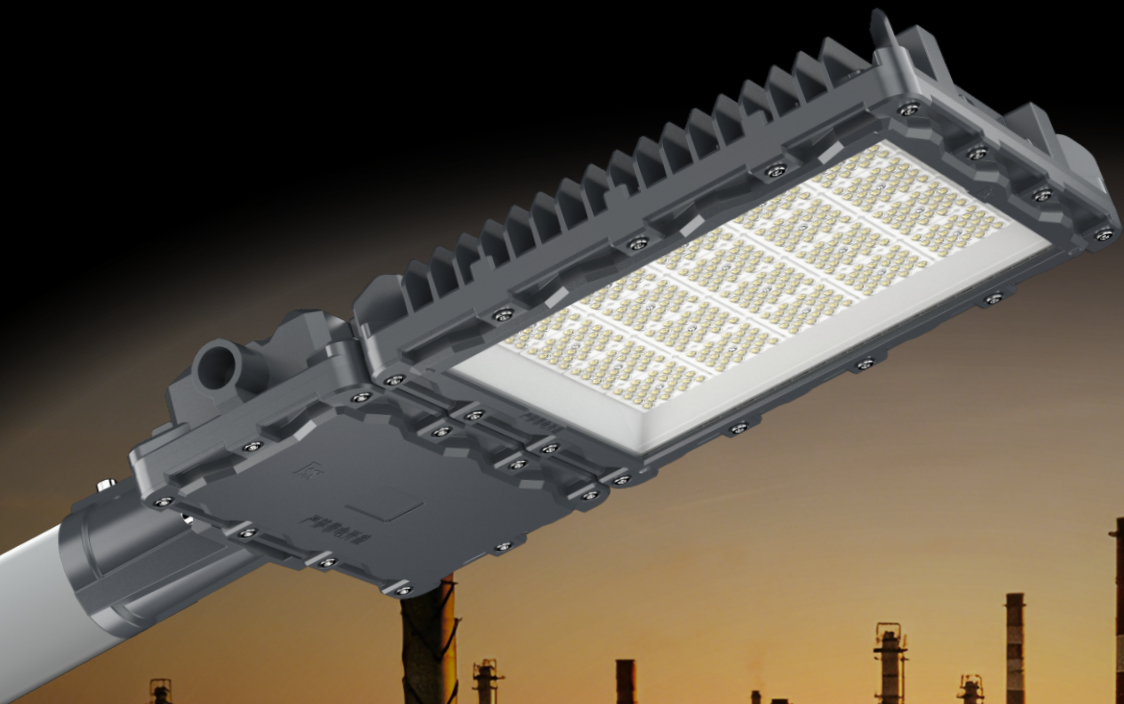


EX DB IIB T4/T6 GB; EX DB IIC T4/T6 GB; EX TB IIC T130°C/T180°C DB IP66



FEICHI
菲驰照明

**EXPLOSION-
PROOF LED STREETLIGHT**

50W/100W/150W/
200W/250W/300W/320W



Product VR

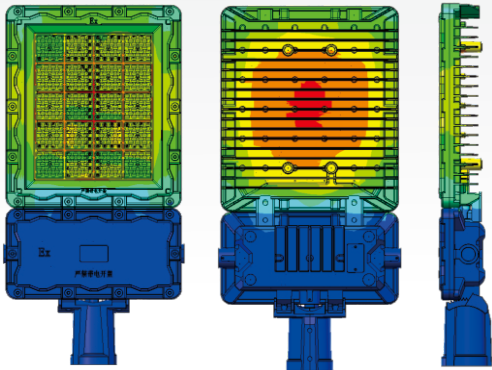
SHENZHEN FEICHI LIGHTING CO., LTD.

OVERVIEW

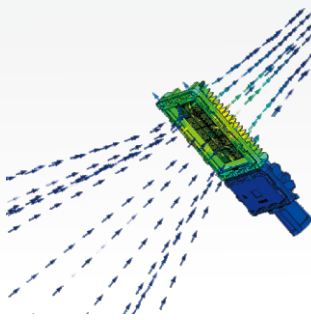


THERMAL CONTROL TECHNOLOGY

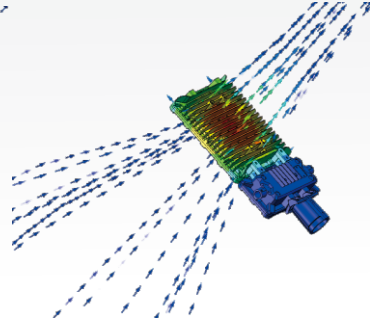
Structure optimized by advanced FEA technology to realize fast heat dissipation. Uniform heat distribution and keep high luminous flux to achieve longer lifespan.



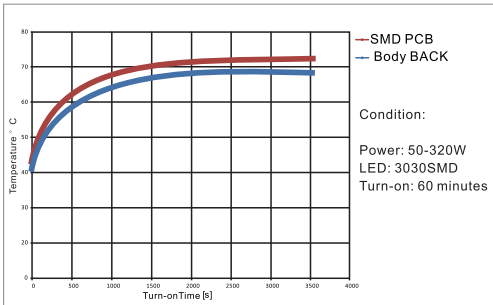
Thermal Conductivity



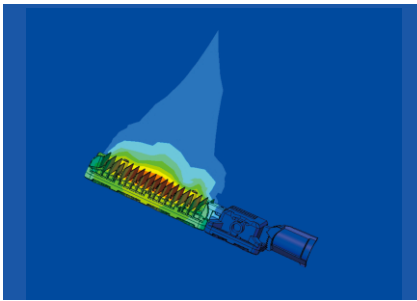
Thermal Air Convection



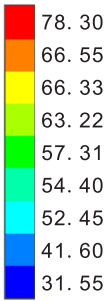
Thermal Air Convection



Temperature Rise Curve

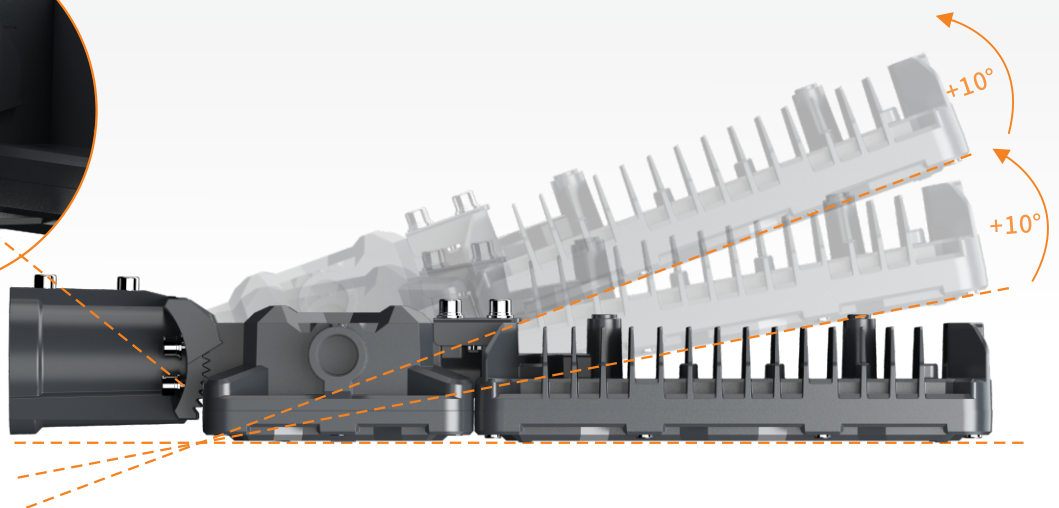
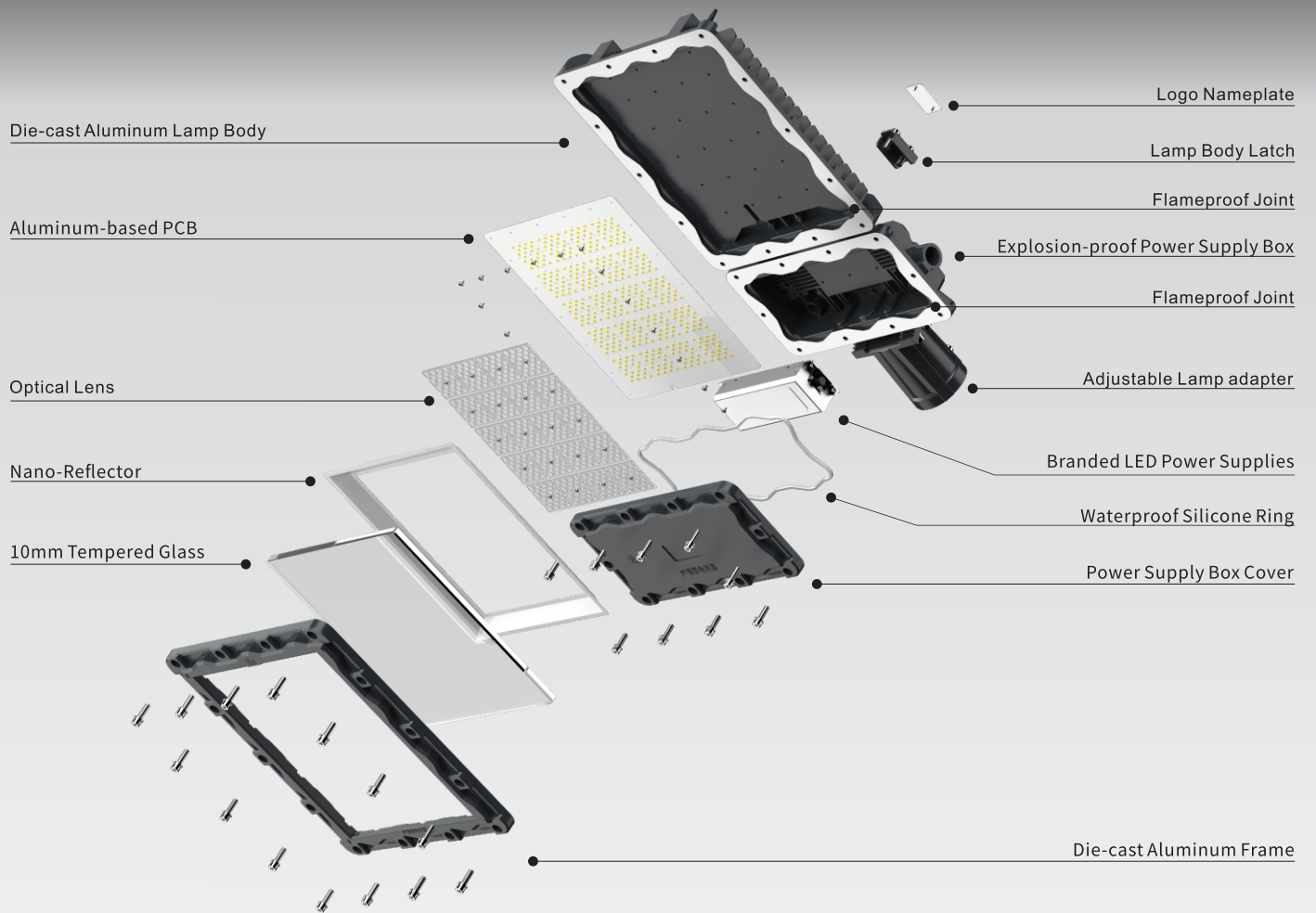


Thermal Effects to Air



Unit:°C

EXPLODED



The lamp adapter angle is adjustable by ± 20 degrees.

SCENARIO APPLICATIONS

Suitable for: Petroleum, petrochemical, chemical, metallurgical, railway, electric power, steel, aviation, and shipbuilding industries, as well as various large-scale industrial facilities and high-efficiency roadway lighting applications.

Suitable for Zone 1 and Zone 2 locations within explosive gas environments.

Suitable for explosive gas environments classified as Group IIA and Group IIB.

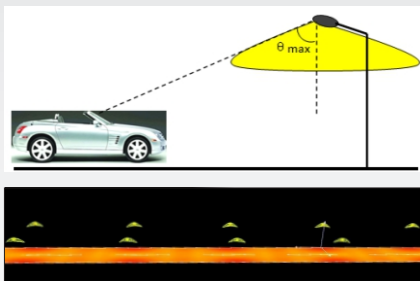
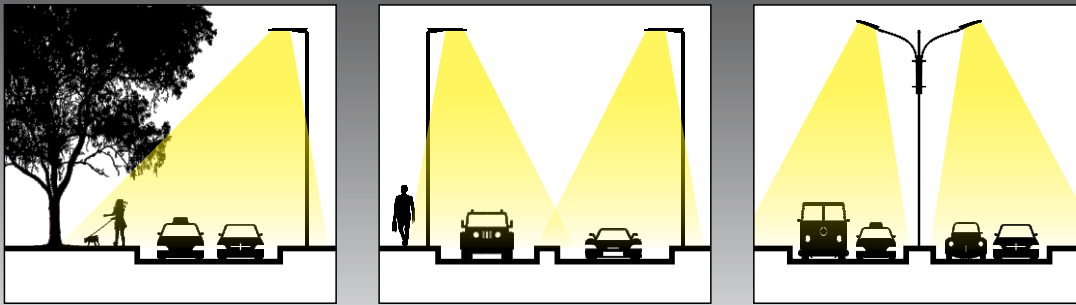
Suitable for Zone 21 and Zone 22 locations within combustible dust environments.



Smeltery

OPTICS

Tech. Support: Please provide the information of road length, width, height and application scene to us. Our professional engineer team will proceed the lighting DIALUX simulation and evaluate the lighting quantity and effect for your project. ies files are available upon request.



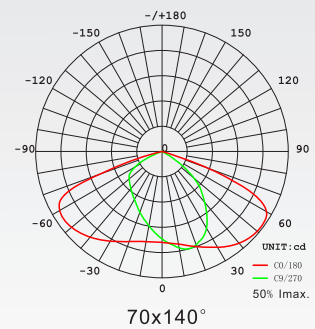
Energy-saving design



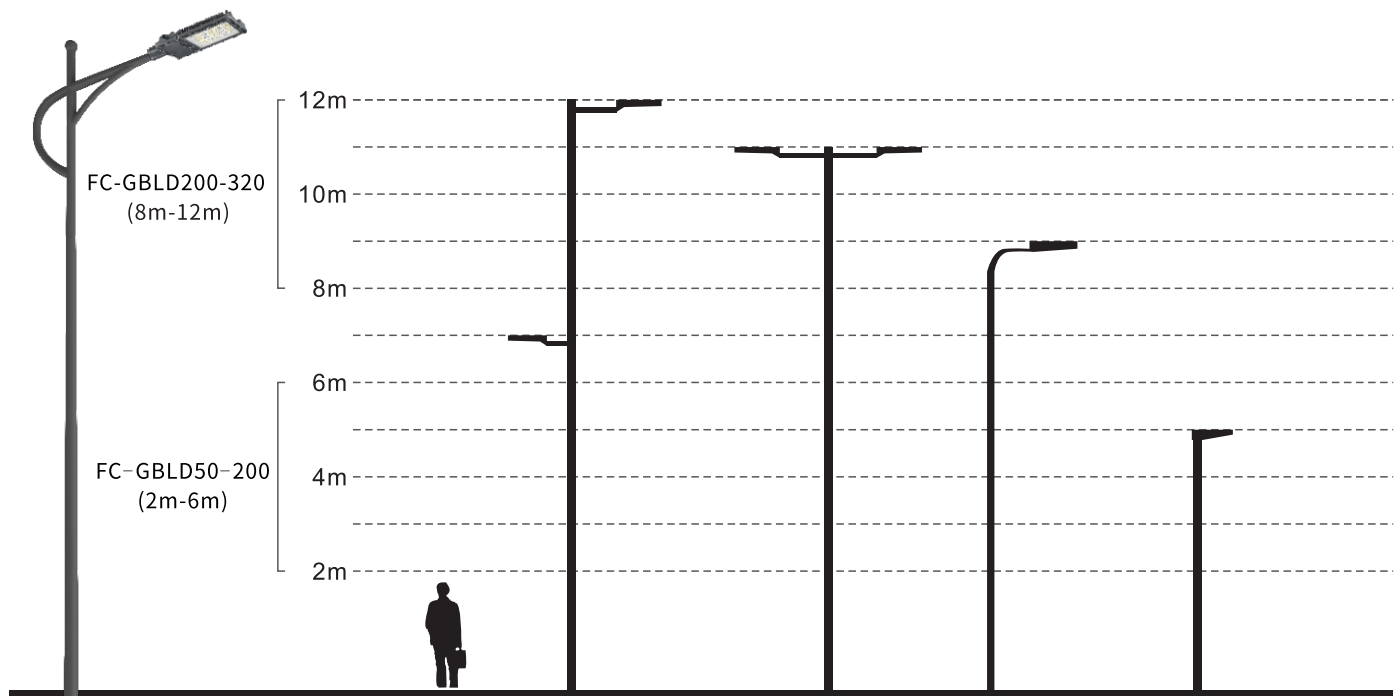
Uniformity Design



Cut-off angle design



RECOMMENDED INSTALLATION HEIGHT



A VARIETY OF STYLES

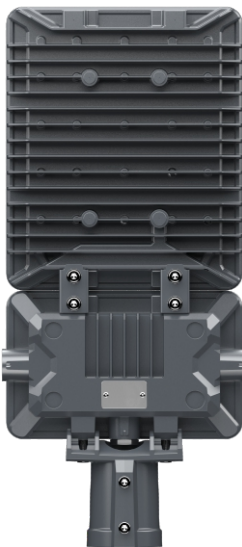


FC-GBLD50-200



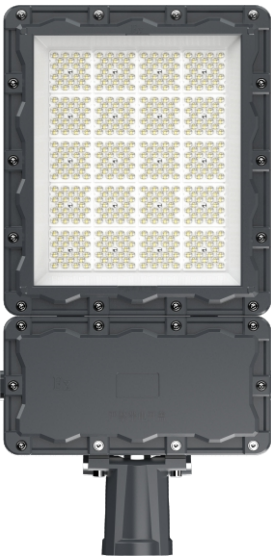
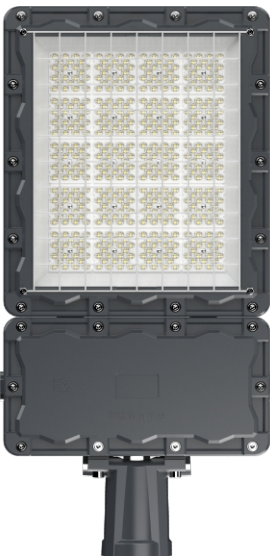
FC-GBLD200-320

FC-GBLD50-200



Optional Protective Mesh

FC-GBLD200-320

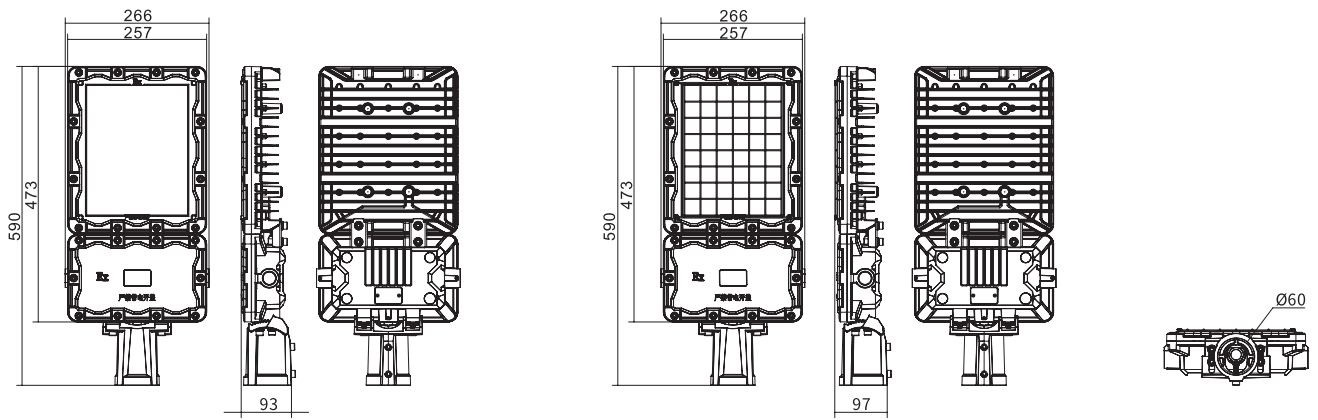


Optional Protective Mesh

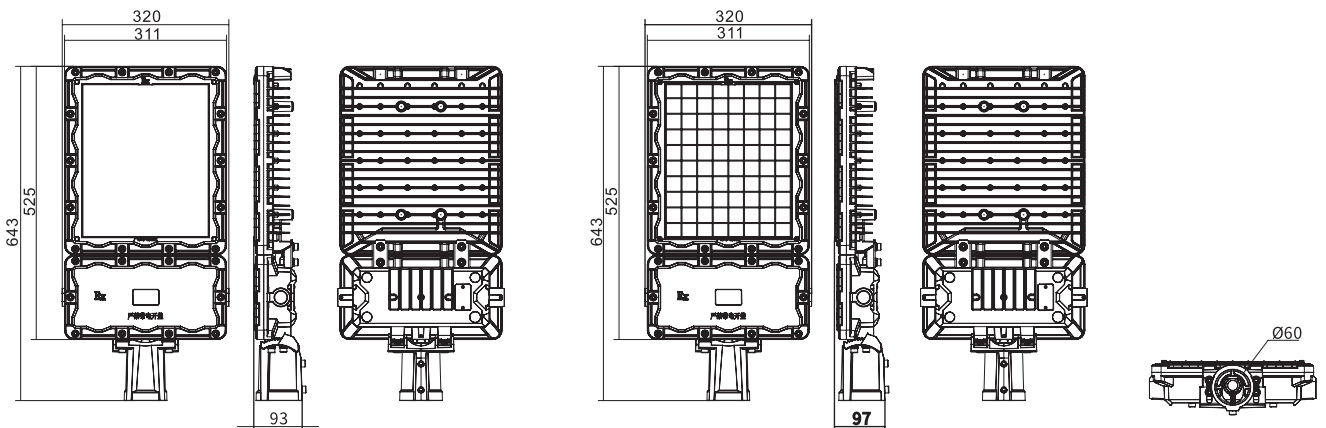
DIAGRAMS

unit:MM

FC-GBLD50-200

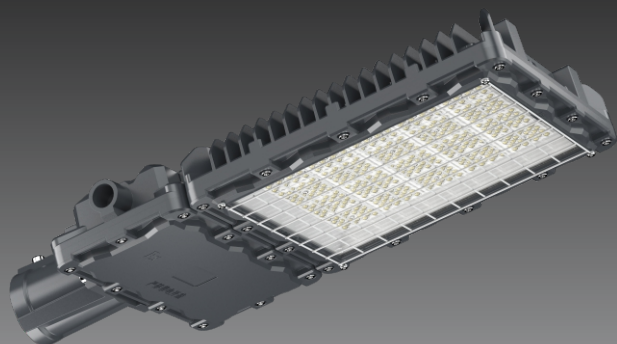


FC-GBLD200-320



MAIN PARAMETERS

Model	FC-GBLD50	FC-GBLD100	FC-GBLD150	FC-GBLD200	FC-GBLD200-2	FC-GBLD240	FC-GBLD300	FC-GBLD320
Power	50W	100W	150W	200W	200W	240W	300W	320W
Product Size(mm)	590*266*93mm				643*320*93mm			
CCT	3000K / 4000K / 5000K / 6500K							
CRI	Ra≥80							
Efficiency	160Lm/W							
IP	IP66							
WF	WF2							
Ex	Ex db IIB T4/T6 Gb; Ex db IICT4/T6 Gb; Ex tb IIICT130°C/T80°C Db IP66							



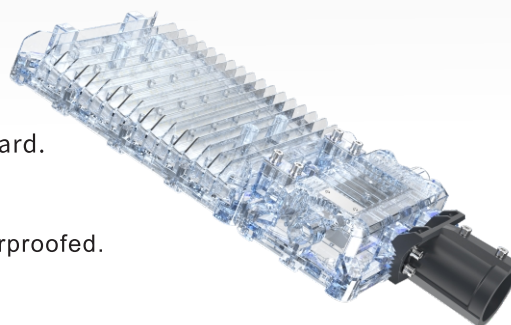
FEATURES

1. The lamp housing is constructed from national-standard ADC-12 aluminum alloy, offering high structural strength as well as excellent heat dissipation and corrosion resistance. Its explosion-proof structural design makes it suitable for use in over 99% of environments involving explosive gases or dust.
2. The lamp adapter angle is adjustable by $\pm 20^\circ$, allowing for precise illumination positioning.
3. Features highly efficient heat dissipation, enabling reliable operation in ambient temperatures ranging from -40°C to $+55^\circ\text{C}$.
4. Utilizes CREE brand LED chips, delivering high luminous efficacy and a chip lifespan of up to 100,000 hours. It is equipped with a top-tier brand power driver featuring constant-current and wide-voltage capabilities.
5. Backed by a five-year warranty for worry-free after-sales support.



CAUTIONS:

1. Installation must be performed by a professional electrician.
2. Do not disassemble the light fixture, as this may pose a safety hazard.
3. Do not look directly at the light source with the naked eye, as this may cause damage to your vision.
4. For outdoor lighting applications, the cable terminals must be waterproofed.



Structural Perspective View

SHENZHEN FEICHI LIGHTING CO., LTD.

E-mail: Michael@feichiex.com

E-mail: zhang@feichiex.com

Mr. Chen: 13528411508

Michael: 18664432015

Ms. Lin: 13680225080

Ms. Zhang: 18022052733

Production factory address: 5th Floor, No. 4, Hengkang Street, Guzhen Town, Zhongshan City, Guangdong Province

Marketing Center Address: Room 906, No. 10, Block 3, Sanhe Overseas Chinese New Village, Huarong Community, Dalang Subdistrict, Longhua District, Shenzhen, P.R.China.

Website: WWW.feichiex.com