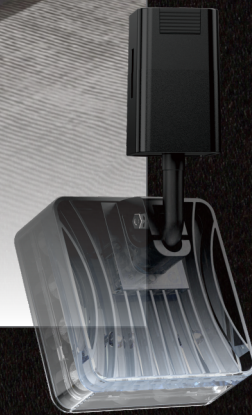
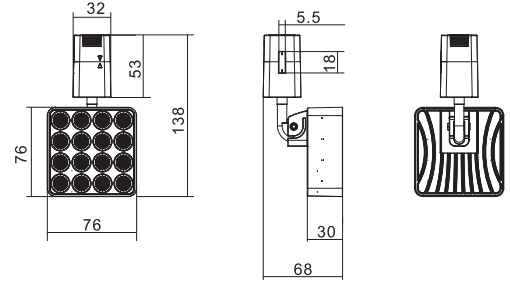




### Applications

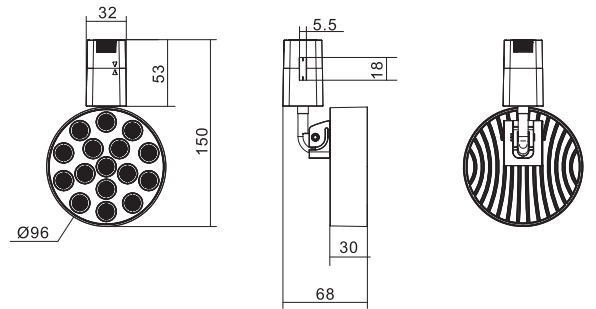
It is widely used in various indoor lighting scenes such as living rooms, corridors, bedrooms, brand retail stores, art galleries, cafes, etc.





H18GRFD12S

Unit:mm



H18GRFD16R

Unit:mm

### Parameters

Model	Power	Product Size(mm)	Voltage	CCT	Beam Angle	Installation Method
H18GRFD12S	16W	76*32*138	DC24V	3000K/4000K/6000K	24°/36°	Track installation
H18GRFD16R	16W	Ø96*32*150	DC24V	3000K/4000K/6000K	24°/36°	Track installation

### Optics

