

Datasheet- LIC-CLED029-12

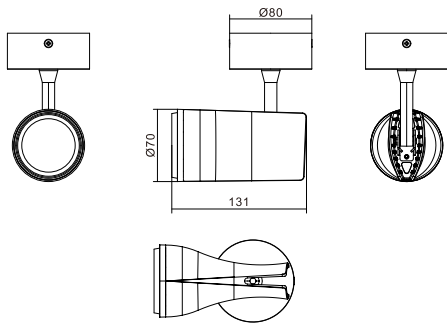


PARAMETERS:

Model	LED chip	Power	Product Size	Material	Lamp body Diameter	Lamp body Height	Color
LIC-CLED029-12	LED	12W	Ø80*131MM	aluminum+CNC	Ø80mm	131mm	White

DIMENSIONS

Unit:mm



CCT



EXPLODE



APPLICATIONS

