

## Applications

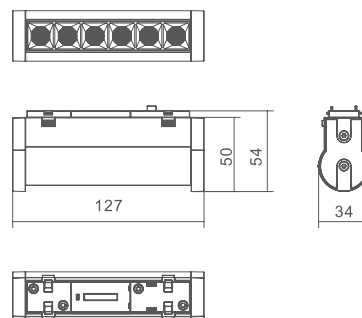
Suitable for a variety of indoor lighting scenes such as living rooms, exhibitions, shops, etc.



Details



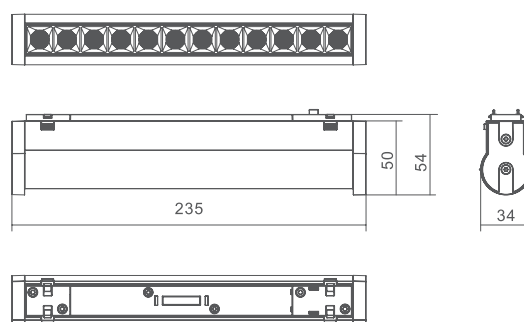
26BGRFD6L



Unit:mm



26BGRFD12L



Unit:mm

### Parameters

Model	Power	Product Size(mm)	Voltage	CCT	Beam Angle	Installation Method
26BGRFD6L	6W	127*34*54	DC48V	3000K/4000K/6000K	15°/24°/36°	Surface Mounted
26BGRFD12L	12W	235*34*54	DC48V	3000K/4000K/6000K	15°/24°/36°	Surface Mounted

### Features

- Adjustable illumination angle, precise dimming,
- Easy to install and disassemble,
- Applicable to indoor lighting scenes,
- Smaller tracks, modular custom installation.



Exploded

### Optics

