

Applications

Suitable for a variety of indoor lighting scenes such as living rooms, exhibitions, shops, etc.



Details





45mm



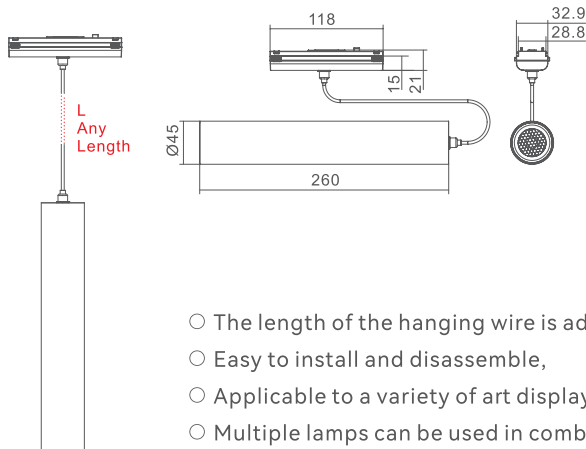
35SU5R

Parameters

Model	Power	Product Size(mm)	Voltage	CCT	Beam Angle	Installation Method
35SU5R	5W	260*Ø45*H(any length)	DC48V	3000K/4000K/6000K	15°/24°/36°	Surface Mounted

Diagrams

Unit:mm



- The length of the hanging wire is adjustable,
- Easy to install and disassemble,
- Applicable to a variety of art display scenes,
- Multiple lamps can be used in combination.

Optics

